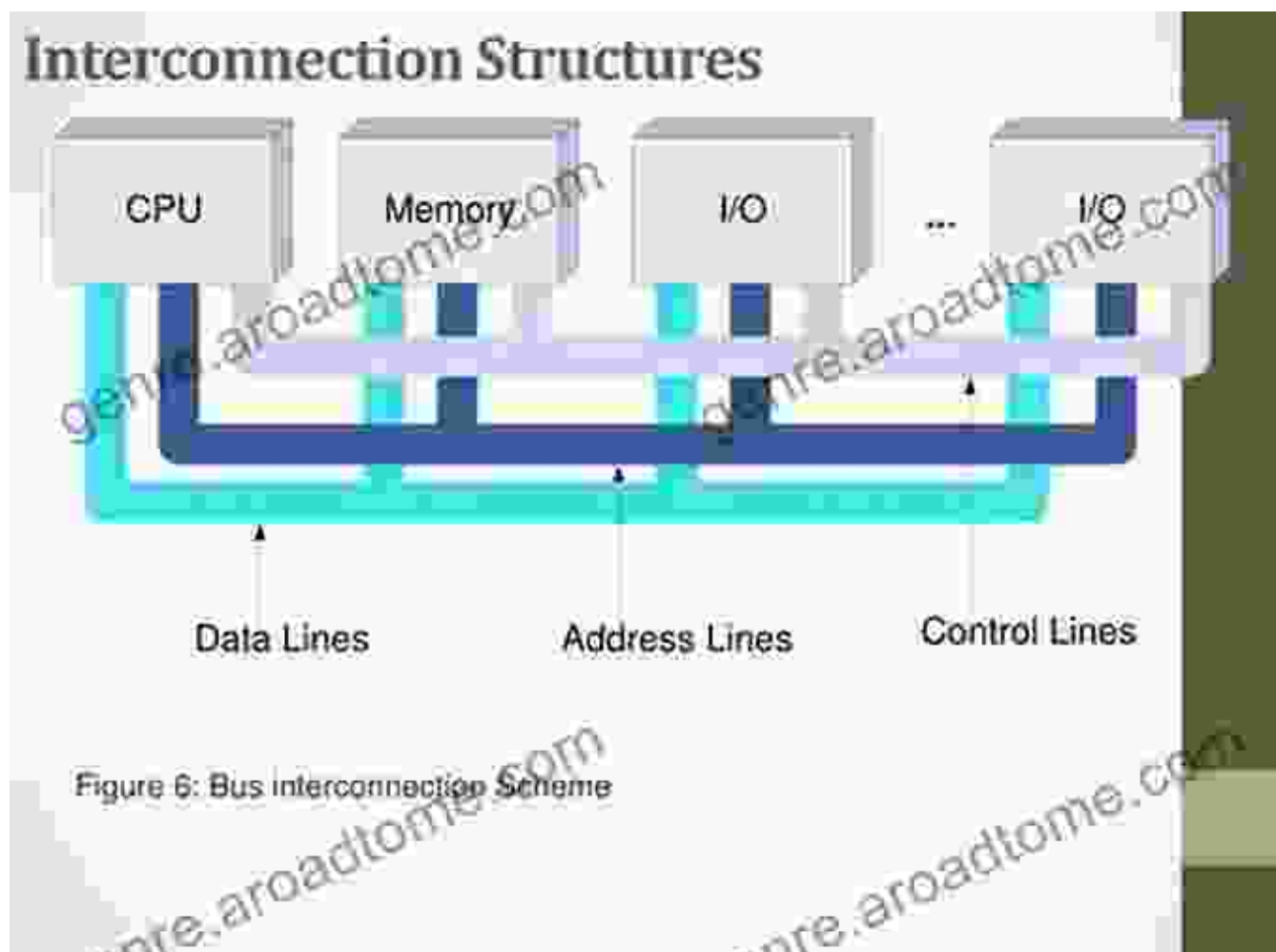


Satellite Software Computers And Operating Systems: A Comprehensive Journey

Decoding the Intricate World of Computers

In the tapestry of modern technology, computers stand as the linchpins, weaving together an intricate web of digital interconnectedness. Satellite Software Computers And Operating Systems delves deep into the heart of computing, unraveling the complexities of computer architecture and laying bare the foundations upon which our digital world is built. Embark on a journey of discovery, deciphering the inner workings of these technological marvels that orchestrate our daily lives.





The Most Unique Explanations 2024 on Corel WordPerfect Work For Beginners: Satellite Software, Computers And Operating Systems

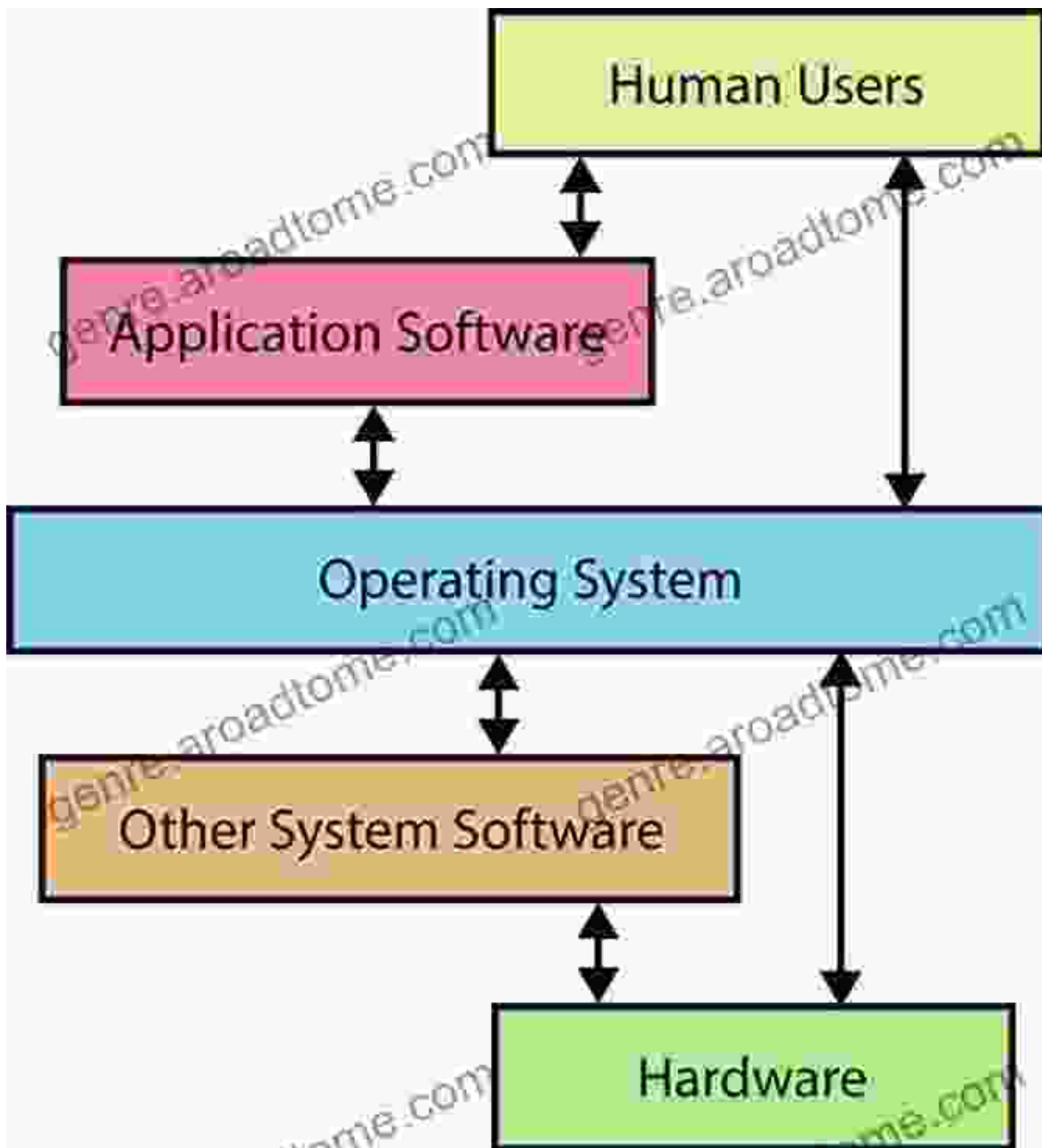
★★★★★ 5 out of 5

| | |
|----------------------|-------------|
| Language | : English |
| File size | : 433 KB |
| Text-to-Speech | : Enabled |
| Screen Reader | : Supported |
| Enhanced typesetting | : Enabled |
| Print length | : 67 pages |
| Lending | : Enabled |



Unveiling the Essence of Operating Systems

At the core of every computer resides the operating system, the maestro that orchestrates the harmonious interplay of hardware and software. Satellite Software Computers And Operating Systems unveils the intricate workings of these digital conductors, exploring the foundational concepts that govern their design and implementation. Delve into the methodologies behind resource management, process scheduling, memory allocation, and the myriad of other tasks that operating systems perform seamlessly behind the scenes.

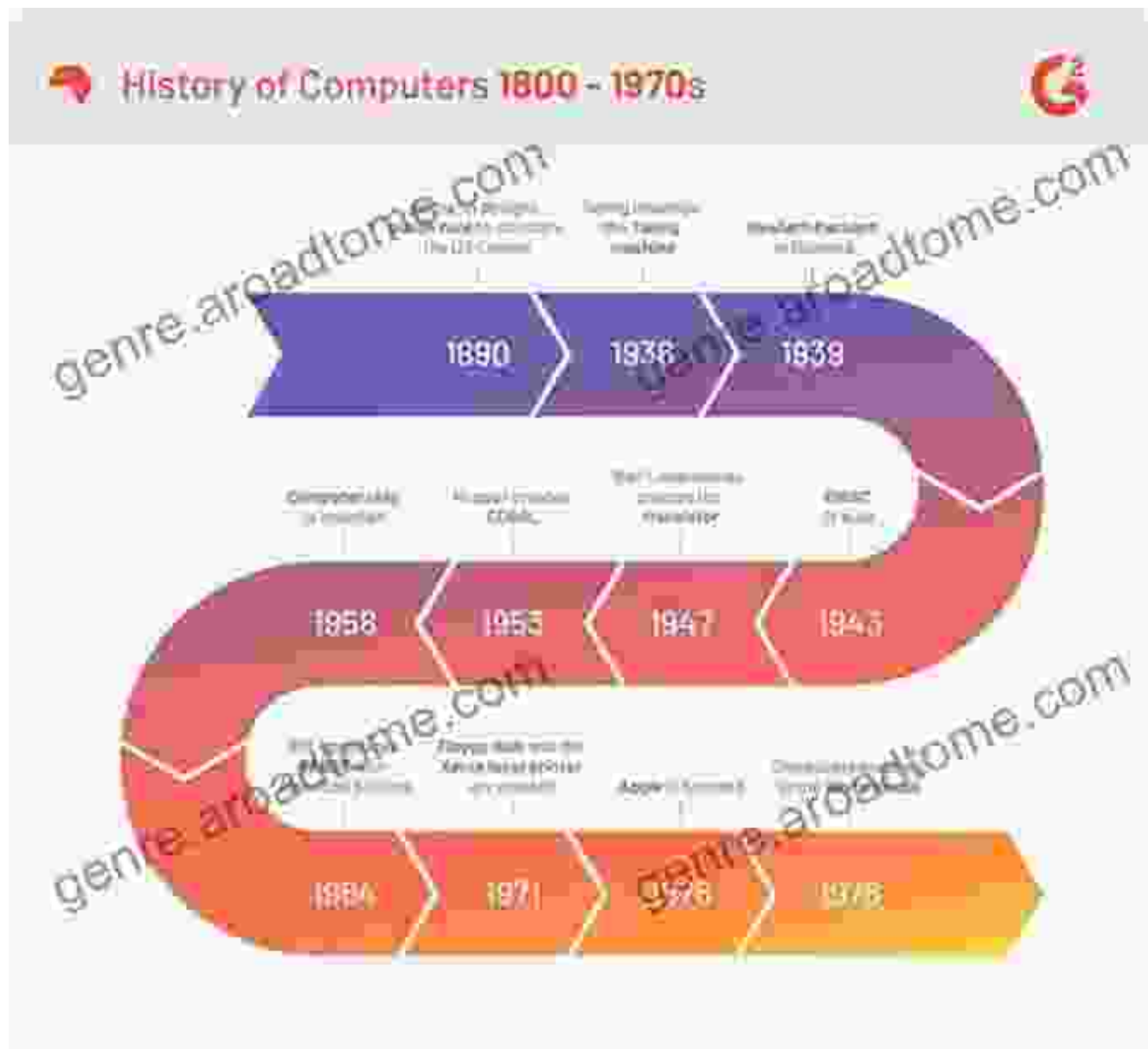


Navigating the layers of an operating system, revealing the intricate dance between hardware and software.

Shaping the Digital Landscape

The burgeoning field of computer science owes a profound debt to the pioneering work in Satellite Software Computers And Operating Systems. This seminal text laid the groundwork for advancements that have transformed our world. From the dawn of personal computing to the advent

of the internet and the ubiquitous presence of smartphones, the concepts explored in this book have shaped the technological tapestry upon which our modern lives are woven.



: A Legacy of Innovation

Satellite Software Computers And Operating Systems stands as a testament to the enduring legacy of innovation upon which the field of computing is built. Delving into its pages unveils the intricate workings of computers, the symphony of operating systems, and the profound impact

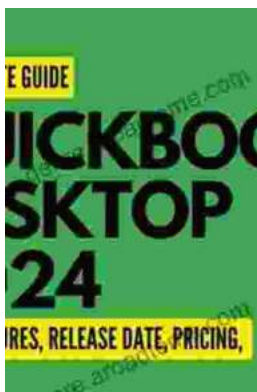
they have had on shaping our digital world. As technology continues to advance at an unrelenting pace, the principles elucidated in this book will remain an indispensable guide for understanding the ever-evolving landscape of computing.



The Most Unique Explanations 2024 on Corel WordPerfect Work For Beginners: Satellite Software, Computers And Operating Systems

★★★★★ 5 out of 5

Language : English
File size : 433 KB
Text-to-Speech : Enabled
Screen Reader : Supported
Enhanced typesetting : Enabled
Print length : 67 pages
Lending : Enabled



QuickBooks 2024 In Depth: Your Essential Guide to Accounting Mastery

About the Book Are you ready to elevate your accounting skills and unlock the full potential of QuickBooks 2024? Look no further than "QuickBooks 2024 In Depth," the...



Unlocking the Mysteries of Primitive Economies: A Journey into 'Economics in Primitive Communities'

Prepare to embark on an extraordinary intellectual adventure as we delve into the captivating realm of primitive economics with 'Economics in Primitive...