

Computer Engineering and System Engineering: A Comprehensive Guide to the Digital Age

Unveiling the Intricacies of Computing

In the rapidly evolving world of technology, computer engineering and system engineering stand as cornerstones of innovation. These interconnected disciplines play a crucial role in shaping our digital reality, from the devices we carry in our pockets to the vast networks that connect our world.



Learn About Telecommunications: Improve Telecommunication Systems: Computer Engineering And System Engineerin

★★★★★ 5 out of 5

Language : English
File size : 5997 KB
Text-to-Speech : Enabled
Screen Reader : Supported
Enhanced typesetting : Enabled
Lending : Enabled



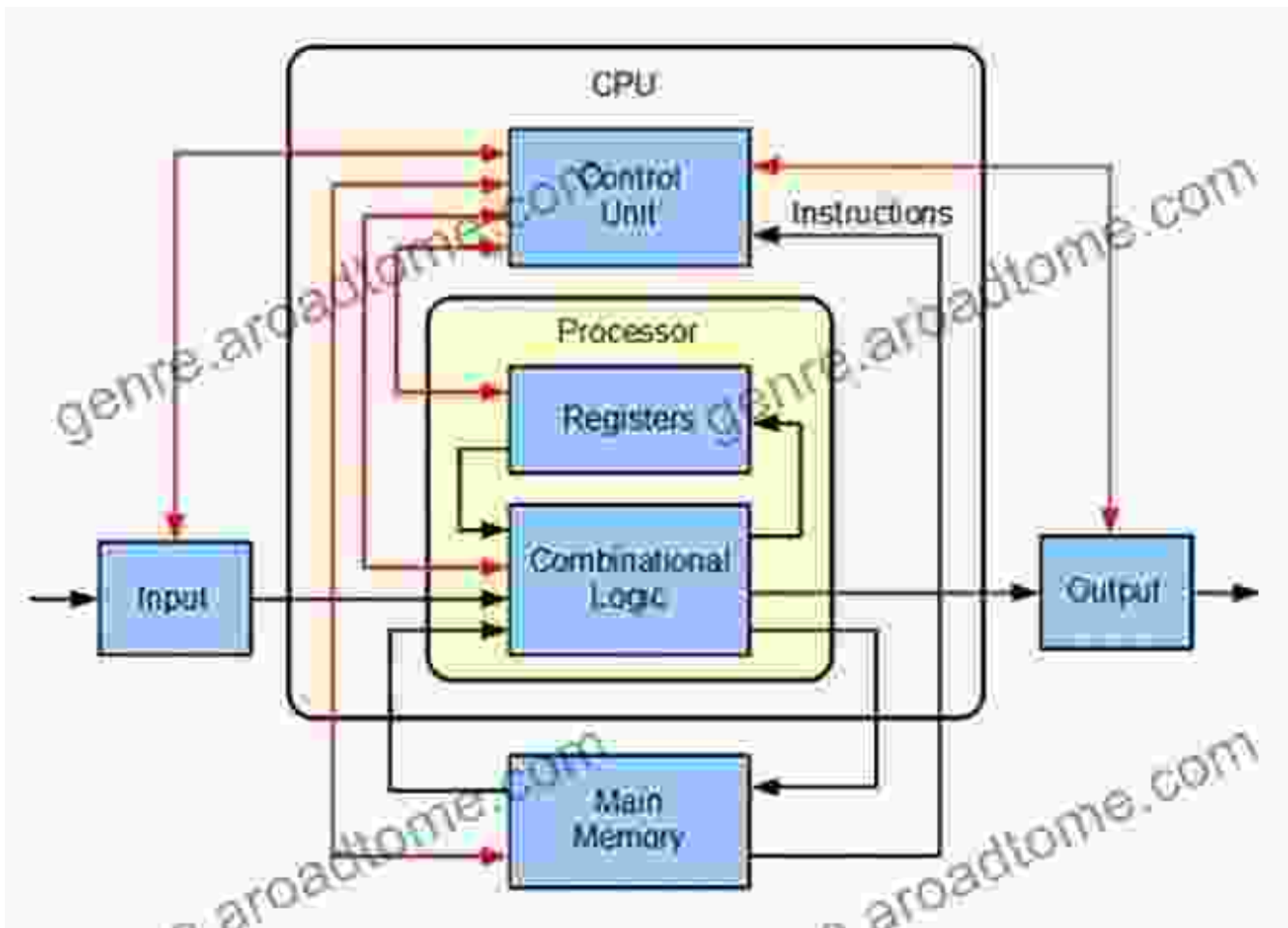
This comprehensive book provides an in-depth exploration of both computer engineering and system engineering, empowering you to understand the fundamental principles and practical applications of these fields.

Delving into the Architecture of Computers

Computer engineering forms the backbone of modern computing, focusing on the design, development, and optimization of computer hardware. In this book, you will dive into the inner workings of processors, memory systems, storage devices, and other essential components.

Through detailed explanations and real-world examples, you will gain a thorough understanding of:

- Processor architecture and instruction sets
- Memory hierarchy and cache optimization
- Storage technologies including HDDs, SSDs, and RAID
- Bus architectures and data transfer protocols

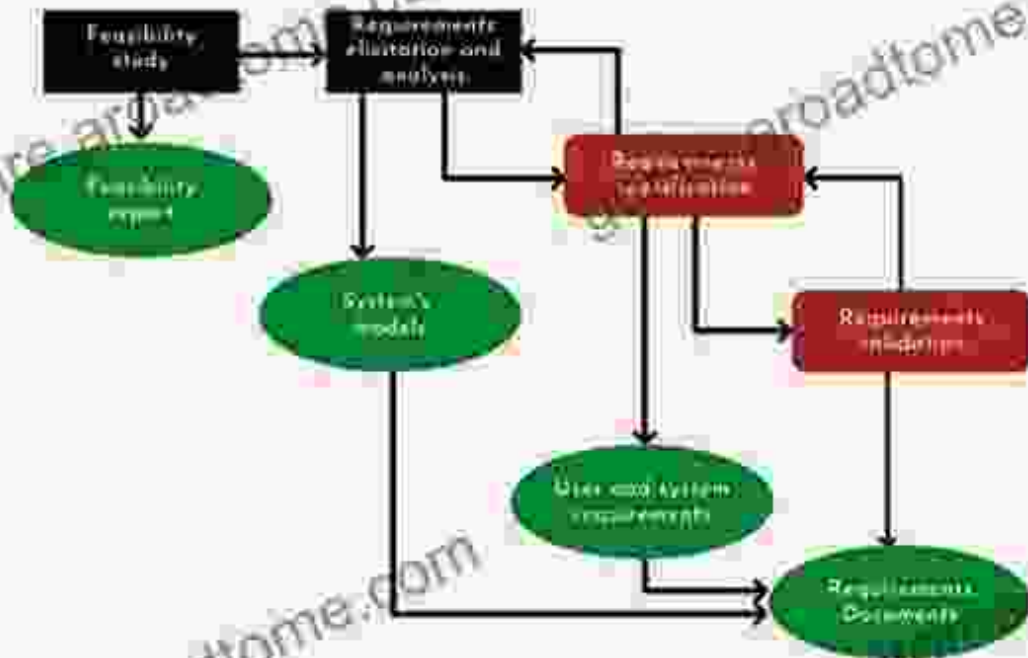


Mastering the Art of System Design

System engineering encompasses the broader perspective of integrating hardware and software components to create complex systems that meet specific requirements. In this section, you will explore:

- System architecture and design methodologies
- Requirements engineering and modeling
- Software engineering principles and practices
- Network design and protocols

REQUIREMENT ENGINEERING PROCESS



Practical Applications and Real-World Impact

The knowledge gained from this book is not merely theoretical; it has profound practical applications across numerous industries and fields.

You will discover how computer engineering and system engineering drive innovation in:

- Automotive and transportation systems
- Healthcare and medical devices
- Telecommunications and networking
- Artificial intelligence and machine learning

Empowering the Next Generation of Engineers

Whether you are a student pursuing a career in computer engineering or system engineering, or a professional seeking to enhance your skills, this book is an invaluable resource.

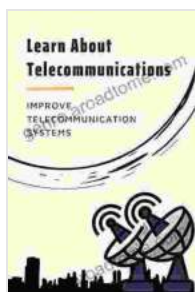
Its comprehensive coverage, clear explanations, and real-world examples provide a solid foundation to excel in these challenging and rewarding fields.

Invest in your future and Free Download your copy of Computer Engineering and System Engineering today, and unlock the gateway to a world of technological possibilities.

Free Download Now and Unleash Your Potential

Free Download Now

Copyright © 2023 All Rights Reserved

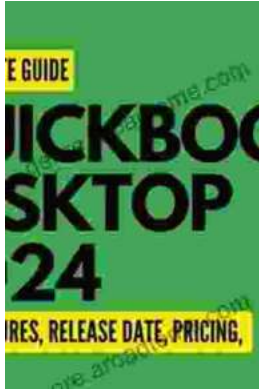


Learn About Telecommunications: Improve Telecommunication Systems: Computer Engineering And System Engineerin

★★★★★ 5 out of 5

Language : English
File size : 5997 KB
Text-to-Speech : Enabled
Screen Reader : Supported
Enhanced typesetting : Enabled
Lending : Enabled





QuickBooks 2024 In Depth: Your Essential Guide to Accounting Mastery

About the Book Are you ready to elevate your accounting skills and unlock the full potential of QuickBooks 2024? Look no further than "QuickBooks 2024 In Depth," the...



Unlocking the Mysteries of Primitive Economies: A Journey into 'Economics in Primitive Communities'

Prepare to embark on an extraordinary intellectual adventure as we delve into the captivating realm of primitive economics with 'Economics in Primitive...